



CQD12R/RF

Electric Sit-down Reach Truck 1.2t

EP EQUIPMENT CO.,LTD
www.ep-ep.com

Electric Sit-down Reach Truck1.2t CQD12R/RF

Distinguishing mark				
1.1	Manufacturer			EP
1.2	Model designation			CQD12R/RF
1.3	Drive unit			Battery
1.4	Operator type			Seated
1.5	rated capacity	Q	t	1.2
1.6	Load center distance	c	mm	600
1.9	Wheelbase	y	mm	1355
Weight				
2.1	Service weight (include battery)		kg	2015①
2.2	Axle loading, fork advanced, unladen driving side/loading side		kg	1027/985
2.3	Axle loading, fork retracted, unladen driving side/loading side		kg	1283/463
2.4	Axle loading, fork advanced, laden driving side/loading side		kg	391/2873
2.5	Axle loading, fork retracted, laden driving side/loading side		kg	1175/2089
Types,Chassis				
3.1	Tyre type driving wheels/loading wheels			polyurethane
3.2	Tyre size, driving wheels (diameter×width)		mm	Φ260×105
3.3	Tyre size, loading wheels (diameter×width)		mm	Φ285×95
3.4	Tyre size, caster wheels (diameter×width)		mm	Φ102×51
3.5	Wheels, number driving, caster/loading (x=drive wheels)			1, 2, 2
3.6	Track width, front,driving side	b ₁₀	mm	0
3.7	Track width,rear,loading side	b ₁₁	mm	894
Dimensions				
4.1	Tilt of mast/fork carriage forward/backward	α/β	°	2/4
4.2	Height, mast lowered	h ₁	mm	2065②
4.3	Free lift (load backrest)	h ₂	mm	0②
4.4	Lift height	h ₃	mm	3000②
4.5	Height, mast extended	h ₄	mm	4000②
4.7	Height of overhead guard (cabin)	h ₆	mm	1965
4.8	Seat height/standing height	h ₇	mm	930
4.90	Height of wheel arms	h ₈ (mm)	mm	310
4.19	Overall length (minimum)	l ₁	mm	2285③
4.20	Length to face of forks	l ₂	mm	1215③
4.21	Overall width	b ₁ /b ₂	mm	988/990
4.22	Fork dimensions	s/ e/ l	mm	40×100×1070
4.23	Fork carriage class/type A, B			A
4.24	Fork carriage width	b ₃	mm	956
4.25	Distance between fork-arms	b ₅	mm	200-650
4.26	Distance between wheel arms/loading surfaces	b ₄	mm	698
4.28	Reach distance	l ₄	mm	535③
4.31	Ground clearance, laden, below mast	m ₁	mm	70
4.32	The minimum ground clearance of frame	m ₂	mm	60
4.34.1	Aisle width for pallets 1000 × 1200 crossways	Ast	mm	2655③
4.34.2	Aisle width for pallets 800 × 1200 lengthways	Ast	mm	2705③
4.35	turning radius	Wa	mm	1570
4.37	Length across wheel arms (exclusive fork)	l ₇	mm	1715
Performance data				
5.1	Travel speed, laden/ unladen		km/ h	8/8.5
5.2	Lifting speed, laden/ unladen		m/ s	0.26/0.40
5.3	Lowering speed, laden/ unladen		m/ s	0.35/0.27
5.4	Reaching speed, laden / unladen		m/ s	0.1/0.1
5.8	Max. gradeability, laden/unladen		%	8/10
5.10	Service brake type			Electromagnetic
	Park brake type			Electromagnetic
Electric-engine				
6.1	Drive motor rating S2 60 min		kW	4
6.2	Lift motor rating at S3 15%		kW	8.2
6.3	The maximum allowed size battery		mm	980×335×600
6.4	Battery voltage/nominal capacity K5		V/ Ah	48V/320Ah
6.5	Battery weight		kg	520
Addition data				
8.1	Type of drive unit			AC
10.5	Steering type			Electronic
10.7	Sound pressure level at the driver's ear		dB (A)	75

1.The parameters in the table are of the standard model. For more information, please contact us.

2.The parameters are subject to change without notice.

① Service Weight (include battery)

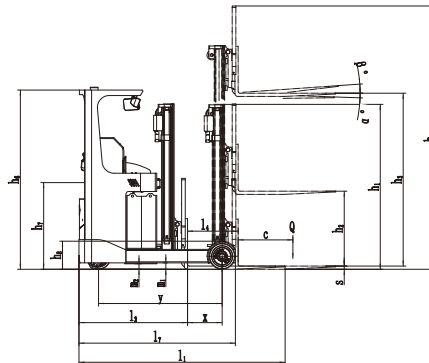
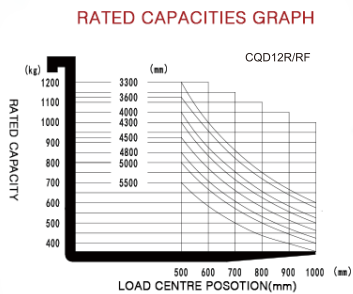
Mast height (mm)	Service Weight (kg)	Mast height (mm)	Service Weight (kg)
2-stage mast		3-stage mast	
2500	1975	3500	2110
2700	1995	4000	2140
3000	2015	4500	2170
3300	2035	4800	2190
3600	2055	5000	2200
4000	2080	5500	2230
4300	2100		

② Mast

without side shift						with side shift					
2-stage mast						2-stage mast					
Lift height	Lowered mast height	Extended mast height				Lift height	Lowered mast height	Extended mast height			
h3	h1	h4	h4(*)			h3	h1	h4	h4(*)		
2500	1815	3500	3075			2500	1815	3525	3075		
2700	1915	3700	3275			2700	1915	3725	3275		
3000	2065	4000	3575			3000	2065	4025	3575		
3300	2215	4300	3875			3300	2215	4325	3875		
3600	2365	4600	4175			3600	2365	4625	4175		
4000	2565	5000	4575			4000	2565	5025	4575		
4300	2715	5300	4875			4300	2715	5325	4875		
note: (*)for without backrest						note: (*)for without backrest					
3-stage mast						3-stage mast					
Lift height	Lowered mast height	Free lift		Extended mast height		Lift height	Lowered mast height	Free lift		Extended mast height	
h3	h1	h2	h2(*)	h4	h4(*)	h3	h1	h2	h2(*)	h4	h4(*)
3500	1735	740	1165	4500	4075	3500	1735	715	1165	4525	4075
4000	1900	905	1330	5000	4575	4000	1900	880	1330	5025	4575
4500	2065	1070	1495	5500	5075	4500	2065	1045	1495	5100	5075
4800	2165	1170	1595	5800	5375	4800	2165	1145	1595	5400	5375
5000	2230	1235	1660	6000	5575	5000	2230	1210	1660	5600	5575
5500	2395	1400	1825	6500	6075	5500	2395	1375	1825	6100	6075
note: (*)for without backrest						note: (*)for without backrest					

③ Dimension (mm)

		without side shift		with side shift	
		2-stage mast	3-stage mast	2-stage mast	3-stage mast
Overall length(minimum)	l_1	2285	2310	2320	2345
Length to face of forks	l_2	1215	1240	1250	1275
Reach distance	l_4	535		500	
Aisle width for pallets 1000x1200 crossways	A_{st}	2655	2670	2680	2695
Aisle width for pallets 800x1200 lengthways	A_{st}	2705	2725	2740	2760
Aisle width for pallets 1000x1200 lengthways	A_{st}	2755	2775	2785	2805
Aisle width for pallets 800x1200 crossways	A_{st}	2545	2565	2575	2595



Option

CQD12R/RF	
Cold storage(Apply to -20°C)	•
Side shift	•
Beeper	•
Fire extinguisher	•
Water auto-filling system	•

